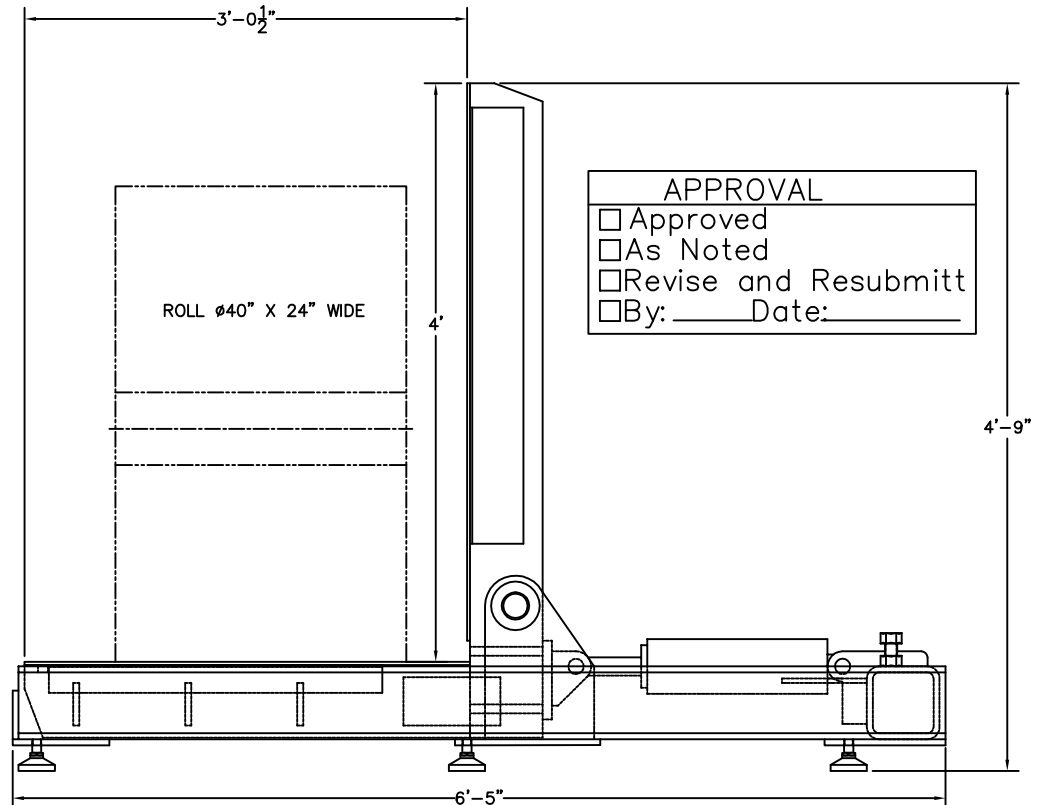


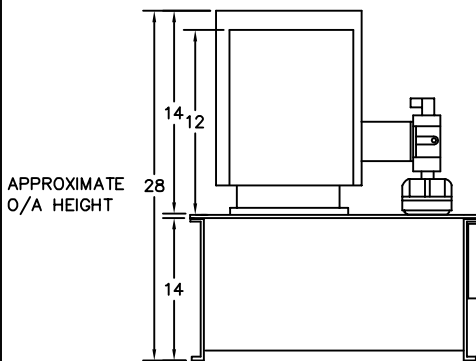
SIDE VIEW



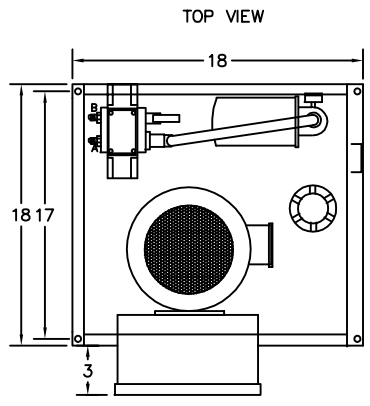
**APPROVAL**

Approved  
 As Noted  
 Revise and Resubmitt  
 By: \_\_\_\_\_ Date: \_\_\_\_\_

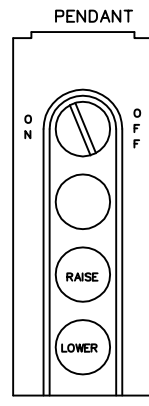
ROLL  $\phi 40"$  X 24" WIDE



APPROXIMATE  
O/A HEIGHT



TOP VIEW



PENDANT

**SPECIFICATIONS**

CAPACITY: 2,000 POUNDS  
 MAX. FACE WIDTH: 24"  
 MAX. DIAMETER:  $\phi 40"$   
 MAX. PALLET SIZE: 49" X 49"  
 POWER: 460VAC, 3 PHASE, 60 HZ, 6.5 AMPS  
 CONTROL: 110VAC, 1 PHASE, 60 HZ  
 PUSH BUTTON STATION: RAISE/LOWER  
 APPROXIMATE ROTATION TIME: 46 SECONDS  
 2 HP HYDRAULIC POWER UNIT

TOLERANCES UNLESS SPECIFIED	
MACHINED .XXX	- $\pm .005"$
.XX	- $\pm .01"$
.X	- $\pm .05"$
FRACTIONS	- $\pm 1/16"$
ANGULAR	- $\pm .5^\circ$

TILT-LOCK 12070 43RD STREET NE ST. MICHAEL, MN 55376 PH: 763-497-7045 FAX: 763-497-7046		TITLE: R0-1, 2,000LB ROLL OVER ASSEMBLY 24" WIDE X $\phi 40"$ O.D.	
DRAWN BY: TJK	DATE: 10/20/04	SCALE: NONE	WEIGHT: X
RELEASED BY: GLM	DWG. NO.: TA65029	SIZE: D	REV. NO.: D

NOTICE TO FORMER RECIPIERS: THIS DRAWING AND/OR TECHNICAL INFORMATION IS THE PROPERTY OF TILT-LOCK. IT IS ISSUED AS A SERVICE TO THE CUSTOMER AND IS NOT TO BE REPRODUCED OR USED TO MANUFACTURE ANYTHING SHOWN OR REFERRED TO HEREON WITHOUT DIRECT WRITTEN PERMISSION FROM TILT-LOCK TO THE USER.  
 TILT-LOCK IS NOT RESPONSIBLE FOR THE STRENGTH OF BUILDING MEMBERS FURNISHED BY OTHERS.