

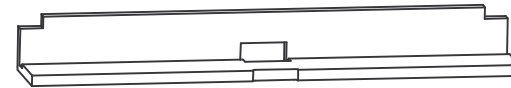
RETAINING BAND



T1 TOOTH  
PART NO. T345405

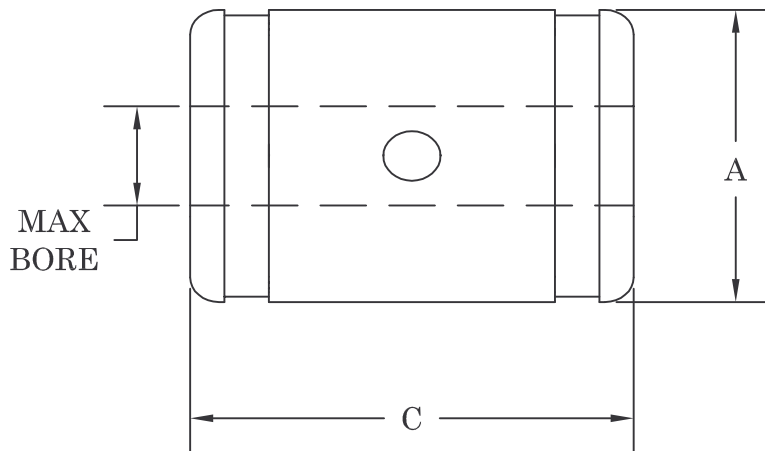


W2 CAVITY SPRING  
PART NO. T325160



W1 CAVITY INSERT  
PART NO. T190100

CORE SIZE AND TYPE: 5" through 12" core I.D. for most fiber, steel tipped, and plastic cores.  
MOUNTING METHOD: Through shaft with set screw and/or keyway if required.  
BORE TOLERANCE: +.010"



CHUCK NUMBER	A	MAX BORE SIZE	C	NUMBER OF TEETH	RETAIN. BANDS NUMBER
R4-5	4.95	3.00	5.62	5	B-5
R4-6	5.95	3.00	5.62	5	B-6
R4-7	6.95	3.00	5.62	5	B-7
R4-8	7.95	4.00	5.62	5	B-8
R4-9	8.95	4.00	5.62	5	B-9
R4-10	9.95	4.00	5.62	5	B-10
R4-11	10.95	4.00	5.62	7	B-11
R4-12	11.95	4.00	5.62	7	B-12

**TILT-LOCK**  
THE ROLL HANDLING PEOPLE FOR OVER 30 YEARS.

12070 43rd St NE  
St Michael, MN 55376  
Phone: 763-497-7045  
Fax: 763-497-7046  
1-800-999-8458  
<http://www.tiltlock.com>