

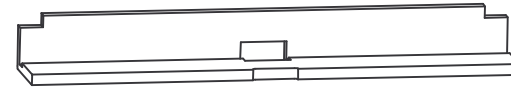
RETAINING BAND



T1 TOOTH
PART NO. T345405

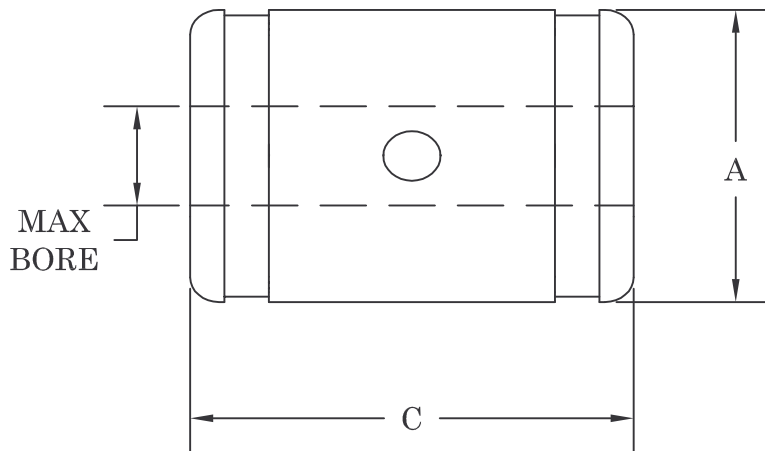


W2 CAVITY SPRING
PART NO. T325160



W1 CAVITY INSERT
PART NO. T190100

CORE SIZE AND TYPE: 5" through 12" core I.D. for most fiber, steel tipped, and plastic cores.
MOUNTING METHOD: Through shaft with set screw and/or keyway if required.
BORE TOLERANCE: +.010"



CHUCK NUMBER	A	MAX BORE SIZE	C	NUMBER OF TEETH	RETAIN. BANDS NUMBER
X4-5	4.95	1.50	5.62	5	B-5
X4-6	5.95	1.50	5.62	5	B-6
X4-7	6.95	1.50	5.62	5	B-7
X4-8	7.95	1.50	5.62	5	B-8
X4-9	8.95	1.50	5.62	5	B-9
X4-10	9.95	1.50	5.62	5	B-10
X4-11	10.95	1.50	5.62	7	B-11
X4-12	11.95	1.50	5.62	7	B-12

TILT-LOCK
THE ROLL HANDLING PEOPLE FOR OVER 30 YEARS.

12070 43rd St NE
St Michael, MN 55376
Phone: 763-497-7045
Fax: 763-497-7046
1-800-999-8458
<http://www.tiltlock.com>