

ITEM	QTY.	PART NUMBER	DESCRIPTION
1	1	T325270	SPRING, COMPRESSION T ENGAG LT-17
2	1	T265016	PROBE, 3" 10.5" PROJ. M.T.R & P.T.R STAND.
3	4	T500001	PIN, SPRING RETAINING
4	4	T345025	TOOTH, LP-12 COMPLETE
5	2	T325120	SPRING, RETAINING 3" _P-13-3 B10292-1
6	1	T500003	PIN, SPRING 3/8" DIA. X 1" LG. LP-6/ARP-6

NOTE: Inspect Probe every 100 cycles to ensure teeth are not damaged or dull. If debris is behind tooth, blow out the tooth pocket with compressed air. It is recommended to replace teeth and springs every 1-2 years, depending on use.

TOLERANCES UNLESS SPECIFIED	
MACHINED .XXX	- ±.005"
.XX	- ±.01"
.X	- ±.05"
FRACTIONS	- ±1/16"
ANGULAR	- ±3°

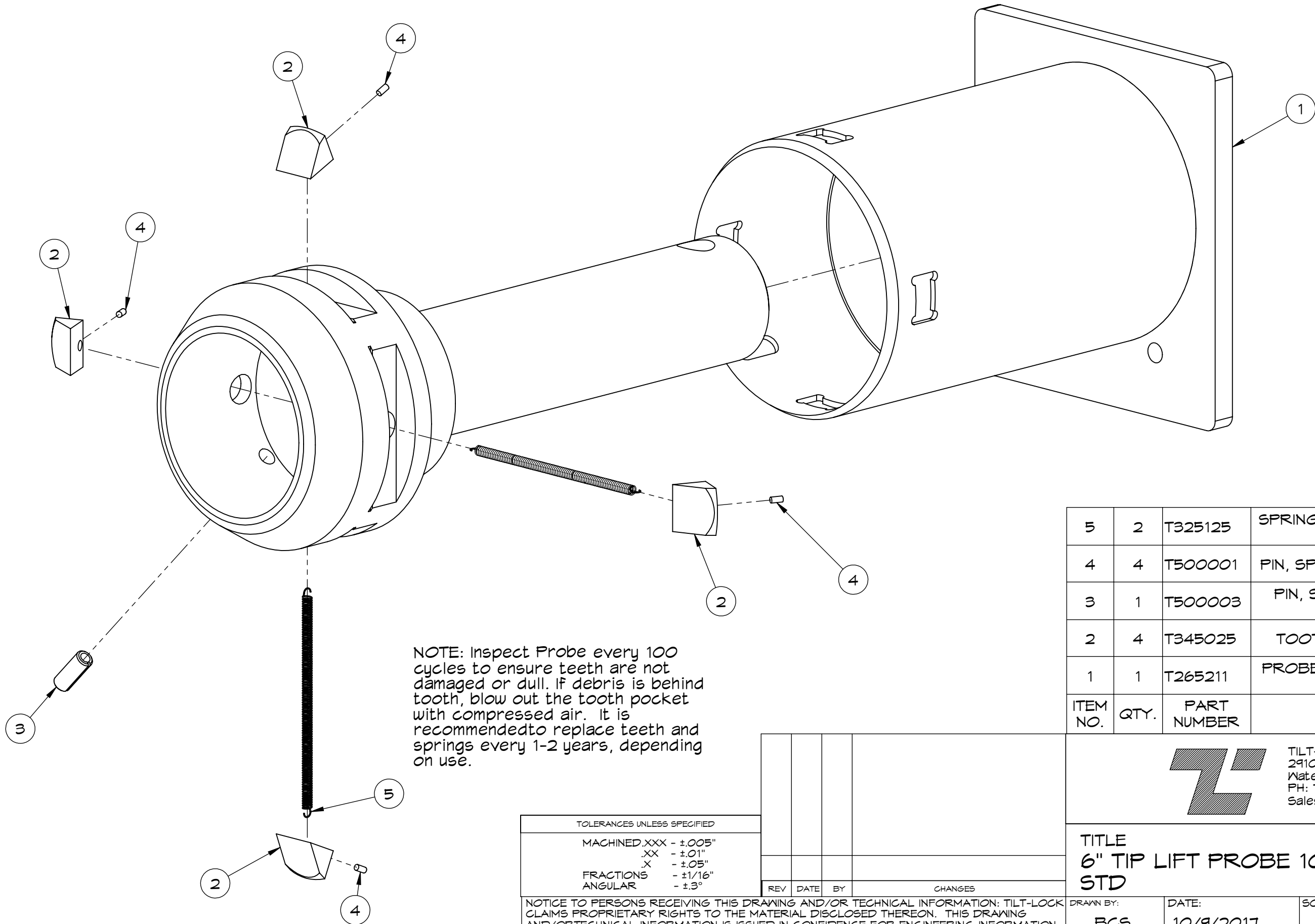
NOTICE TO PERSONS RECEIVING THIS DRAWING AND/OR TECHNICAL INFORMATION: TILT-LOCK CLAIMS PROPRIETARY RIGHTS TO THE MATERIAL DISCLOSED THEREON. THIS DRAWING AND/OR TECHNICAL INFORMATION IS ISSUED IN CONFIDENCE FOR ENGINEERING INFORMATION ONLY AND MAY NOT BE REPRODUCED OR USED TO MANUFACTURE ANYTHING SHOWN OR REFERRED TO HEREON WITHOUT DIRECT WRITTEN PERMISSION FROM TILT-LOCK TO THE USER.



TILT-LOCK
2910 Highway 25
Watertown, MN 55388
PH: 763-497-7045
Sales@tiltlock.com

TITLE
3" TIP LIFT PROBE 10.5" MTR/PTR
STD

DRAWN BY: BCS	DATE: 10/9/2017	SCALE: 1:2	WEIGHT: 28 LBS.
RELEASED BY:	DRAWING: TA50000E	SIZE:	REV



NOTE: Inspect Probe every 100 cycles to ensure teeth are not damaged or dull. If debris is behind tooth, blow out the tooth pocket with compressed air. It is recommended to replace teeth and springs every 1-2 years, depending on use.

5	2	T325125	SPRING,RETAINING 6" LP-13-6 B10292-4
4	4	T500001	PIN, SPRING RETAINING LP-15
3	1	T500003	PIN, SPRING 3/8" DIA. X 1" LG.LP-6/ARP-6
2	4	T345025	TOOTH, LP-12 COMPLETE
1	1	T265211	PROBE,6" 10.5"PROJ. P.T.R & M.T.R STAND.
ITEM NO.	QTY.	PART NUMBER	Description



TILT-LOCK
2910 Highway 25
Watertown, MN 55388
PH: 763-497-7045
Sales@tiltlock.com

TOLERANCES UNLESS SPECIFIED			
MACHINED,XXX	- ±.005"		
.XX	- ±.01"		
.X	- ±.05"		
FRACTIONS	- ±1/16"		
ANGULAR	- ±3°		

REV	DATE	BY	CHANGES

NOTICE TO PERSONS RECEIVING THIS DRAWING AND/OR TECHNICAL INFORMATION: TILT-LOCK CLAIMS PROPRIETARY RIGHTS TO THE MATERIAL DISCLOSED THEREON. THIS DRAWING AND/OR TECHNICAL INFORMATION IS ISSUED IN CONFIDENCE FOR ENGINEERING INFORMATION ONLY AND MAY NOT BE REPRODUCED OR USED TO MANUFACTURE ANYTHING SHOWN OR REFERRED TO HEREON WITHOUT DIRECT WRITTEN PERMISSION FROM TILT-LOCK TO THE USER.

TITLE 6" TIP LIFT PROBE 10.5" MTR/PTR STD			
DRAWN BY:	DATE:	SCALE:	WEIGHT:
BCS	10/9/2017	1:2	45 LBS.
RELEASED BY:	DRAWING:	SIZE:	REV
GLM	TA50300E	B	